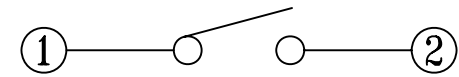
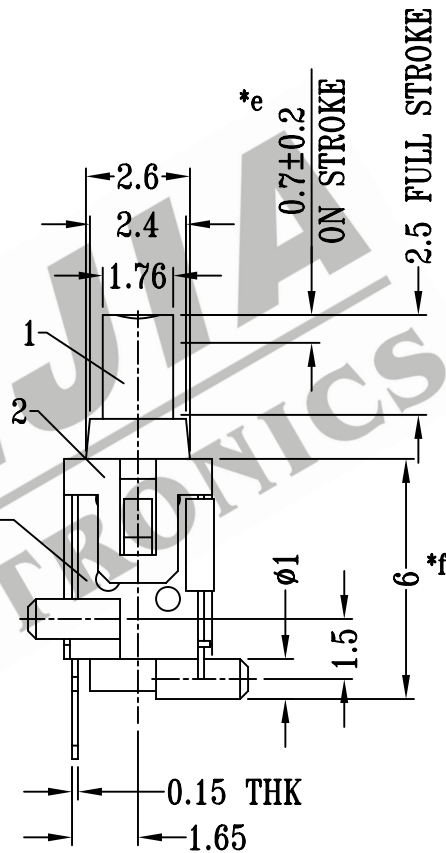
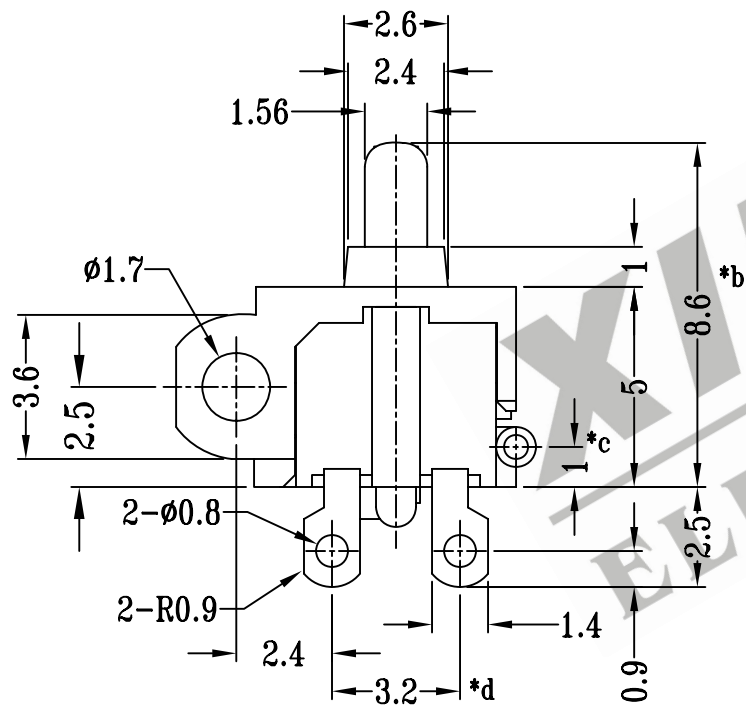
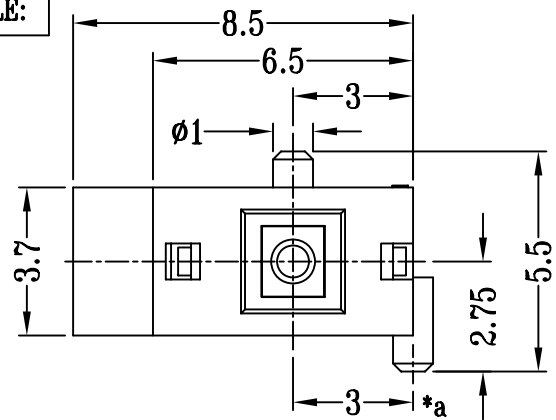
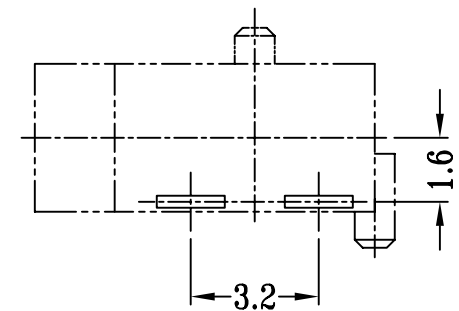


CAD FILE:



SCHEMATIC



P.C.B LAYOUT

注：“*”表示关键尺寸（6个）

8					TOLERANCE	SHENZHEN XIEJIA ELECTRONICS CO.,LTD.					
7					UNLESS SPECIFIED						
6					WITHIN: 1.5±0.1mm						
5					OVER: 1.5±0.2mm	ISSUE	DATE	DESCRIPTIONS OF REVISION		APPD.	
4	SPRING	SUS	1	NATURAL	TITLE : TACT SWITCH			UNIT : mm	DRWG NO.: XJ-DR-TC0035-00		
3	CASE	NYLON+F.G+94V0/PBS	1	BLACK/Ag PLATED OVER Ni PLATED	MODEL: TC-0035			SCALE: 5:1	DWN.	ZHOUYU	2005-3-25
2	COVER	POM	1	BLACK	ALL MATERIALS MUST BE COMPLIANT TO ROHS			CHK'D	FANGYING	2005-3-25	
1	KNOB	NYLON+F.G+94V0/ PBS	1	BLACK/Ag CLAD				APPD.	KANGXINAN	2005-3-25	
NO.	PARTS	MATERIALS	Q'TY	FINISH							